

External Splice Box

Applications

The Orenco® External Splice Box attaches outside the access riser of an underground tank. It is engineered specifically for water and wastewater treatment systems and is especially suited for use in locations prone to high groundwater and other wet conditions. Its separate conduit hubs, large volume, and optional dividers make it useful for maintaining isolation of high and low voltage wires where needed. It has four cord grips which accommodate power cords for floats and pumps of 0.170 - 0.470 inches (4.3 - 11.9 mm) in diameter. Unused cord grips can be plugged watertight with the supplied cord grip plugs. Each External Splice Box is provided with a hole-cutting template to simplify installation on the riser.

General

To specify the Orenco External Splice Box for your installation, require the following:

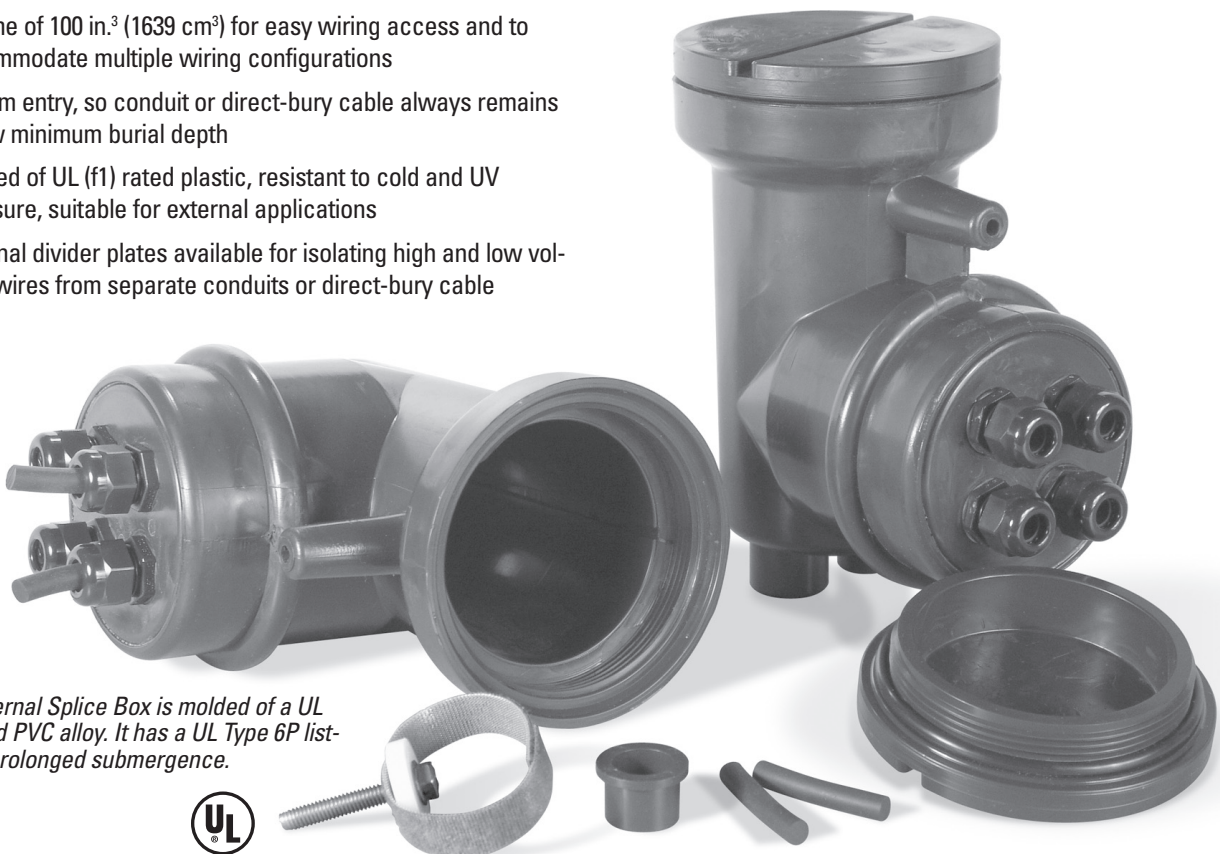
- Watertight for prolonged submergence per UL listing (Type 6P)
- Attachment external to access riser to allow inspection with no need to open the riser lid
- Volume of 100 in.³ (1639 cm³) for easy wiring access and to accommodate multiple wiring configurations
- Bottom entry, so conduit or direct-bury cable always remains below minimum burial depth
- Molded of UL (f1) rated plastic, resistant to cold and UV exposure, suitable for external applications
- Optional divider plates available for isolating high and low voltage wires from separate conduits or direct-bury cable

Standard Models

SBEX1-4, SBEX1-4-P

Nomenclature

SBEX1-4 -
 Blank = no divider plates
 P = divider plates
 External splice box



The External Splice Box is molded of a UL (f1) rated PVC alloy. It has a UL Type 6P listing for prolonged submergence.

External Splice Box (continued)

Physical Specifications

Volume	100 in. ³ (1639 cm ³)
Cord grips	4 per SBEX
Cord grip plugs	3 per SBEX
Cord diameters accommodated	0.170- 0.470 in. (4.3 - 11.9 mm)
Conduit hubs	2
Conduit hub plug	1
Conduit sizes accommodated	¾ in. 1 in. (with coupling) ½ in. (with fitting or bell end)
Diameter of hole into riser	5 in. (127 mm) (hole-cutting template included)

Materials of Construction

Splice box	PVC alloy
Cord grips	Nylon
Cord grip plugs	EPDM rubber
O-rings	Buna rubber
Conduit hub plug	PVC per ASTM D-1784

