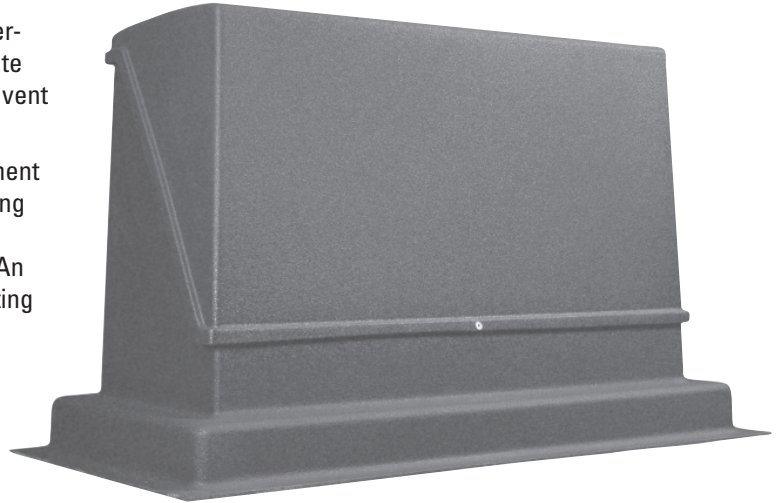


AdvanTex[®] Vent Fan Assembly

Applications

Oreco's AdvanTex[®] Vent Fan Assembly consists of a water-proof fiberglass enclosure with equipment for venting onsite wastewater treatment systems. One enclosure can hold a vent fan with carbon filter and an optional heater.

The vent fan is used in commercial-sized AdvanTex Treatment Systems to gently pull air through the textile media, ensuring that adequate oxygen is available for biological treatment. The carbon filter scrubs the air that the system exhausts. An optional heater can be added where climate requires heating of the air that enters the AdvanTex textile filter pods.



Standard Models

AXVFACF — AX above ground Vent Fan Assembly with LMF-3 Fan

AXVFACF-HT — AX above ground Vent Fan Assembly with LMF-3 Fan and HT10 Heater

Enclosure

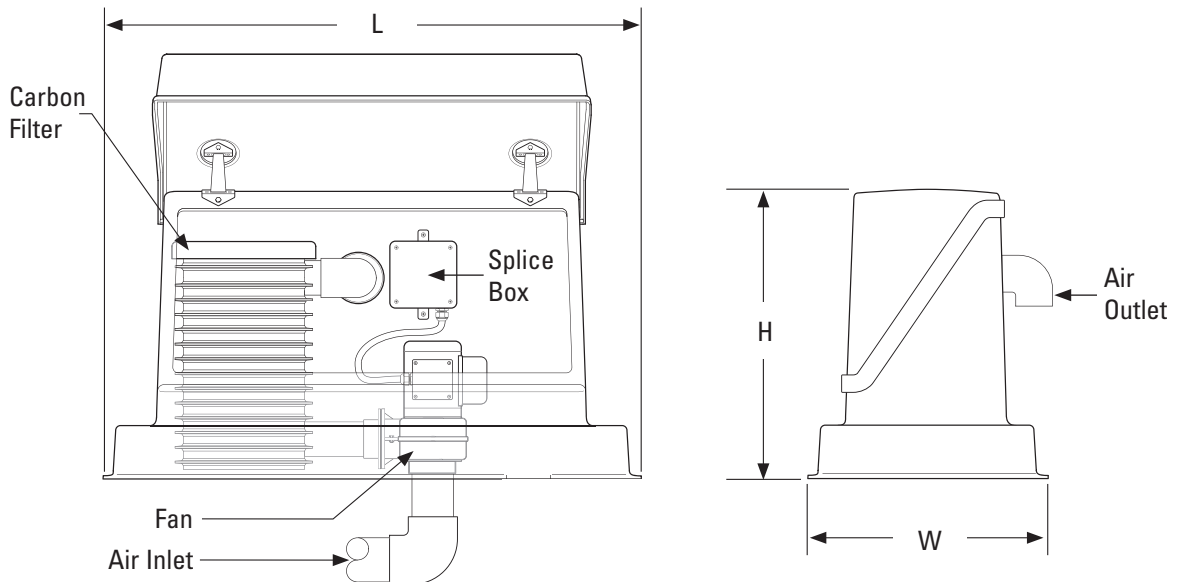
Physical Specifications

Materials of Construction

Shell	Fiberglass-reinforced polyester (FRP)
Hardware	Stainless steel
Exterior finish	Green, textured, UV resistant
Straps	Nylon

Dimensions

Length (L)	50 in. (1270 mm)
Width (W)	24 in. (610 mm)
Height (H)	30 in. (762 mm)
Volume	15.1 ft ³ (0.43 m ³)
Area (footprint)	8.3 ft ² (0.77 m ²)



AdvanTex[®] Vent Fan Assembly (continued)

Fan

Physical Specifications

Dimensions

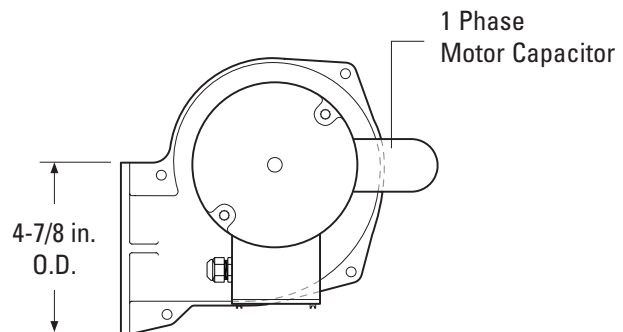
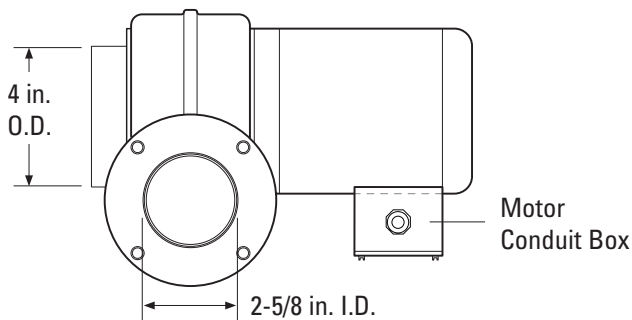
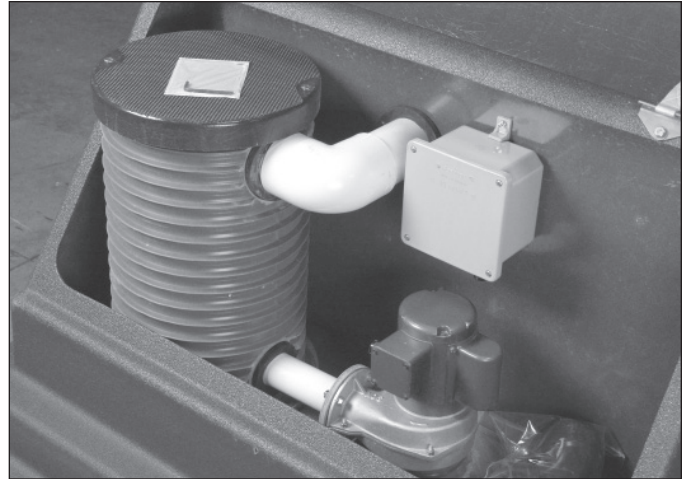
Inlet O.D.	4 in. (100 mm)
Inlet nominal pipe size	4 in. (100 mm)
Outlet I.D.	2-5/8 in. (67 mm)
Outlet Flange O.D.	4-7/8 in. (124 mm)

Materials of Construction

Housing	Aluminum
Wheel	Steel

Performance Data

	60 Hz	50 Hz
Horsepower (kW)	0.08 (0.06 kW)	0.08 (0.06 kW)
Phase	1 phase	1 phase
Volts	115/230	110/220
Amperage	1.4 A/0.7 A	1.8 A/0.9 A
RPM	3400	2900
CFM at 0" H ₂ O static pressure	245	205
CFM at 0.4" H ₂ O static pressure	220	170
CFM at 0.8" H ₂ O static pressure	190	130
CFM at 1.5" H ₂ O static pressure	120	N/A



AdvanTex® Vent Fan Assembly (continued)

Carbon Filter Basin

Physical Specifications

Dimensions

Outlet diameter	Accepts nominal 3-in. PVC pipe
Inlet diameter	Accepts nominal 2-in. PVC pipe
Height	21.5 in. (546 mm)
Diameter	12 in. (305 mm)

Materials of Construction

Housing	PVC
Bottom	Fiberglass-reinforced polyester (FRP)
Interior supports	Polypropylene grid and polyethylene screen
Support rings	PVC
Lid	Fiberglass
Fill material	Activated carbon



Heater (Optional)

Physical Specifications

Dimensions

Outlet diameter	Fits nominal 3-in. Class 125 PVC pipe
Length (inlet to outlet)	11.75 in. (297 mm)
Width	11.25 in. (286 mm)
Depth	8.25 in. (210 mm)

Performance Data

Watts	1000
Volts	120
Amps	8.3

